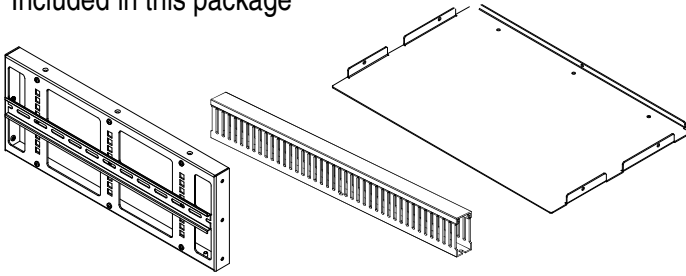
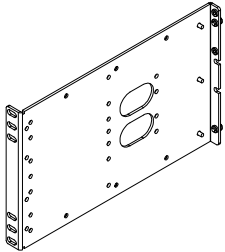


ERP100DB-4U 4U DIN Rail Box Installation

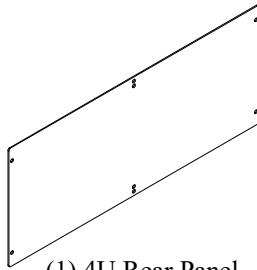
Included in this package



(1) 4U Main Panel (2) PVC Wire Ducts (2) Cover Panels



(2) 4U Ear Brackets



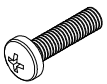
(1) 4U Rear Panel



(4) #10-32 x 5/8 Rack Screws



(24) M4 x 8 Screws



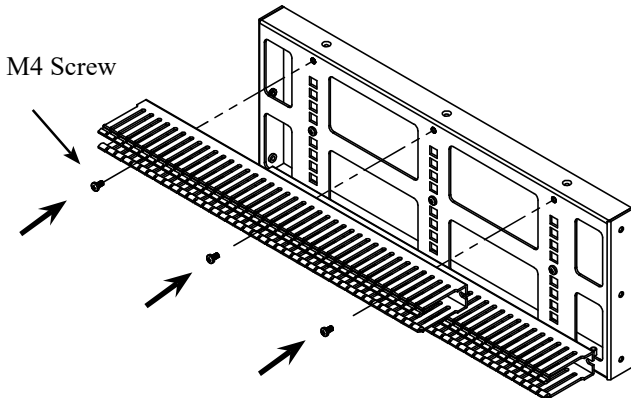
(4) #12-24 x 5/8 Rack Screws



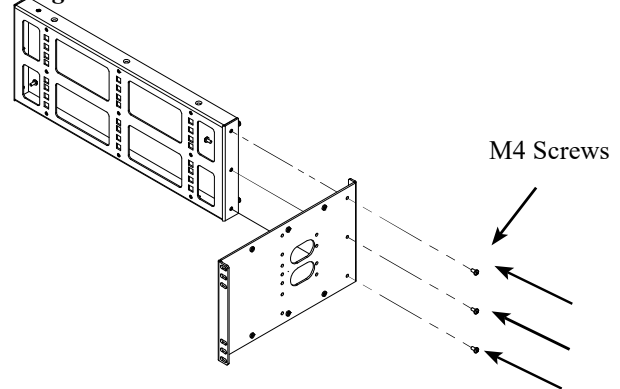
(4) Cable Bushing

Installation Steps

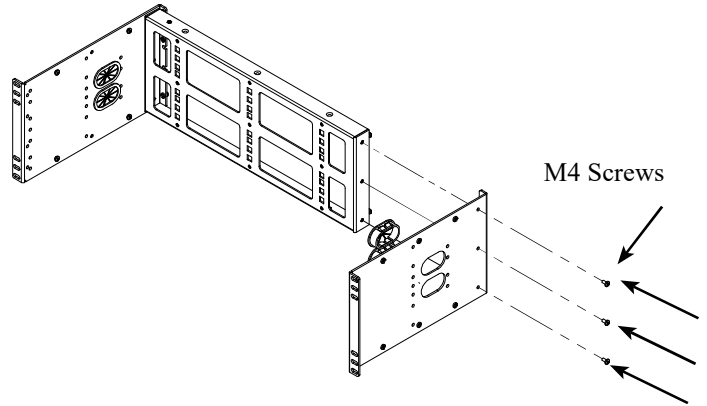
Step 1 Attach the PVC Wire Ducts to the mounting holes on both the top and bottom rows of the panel using three M4 screws



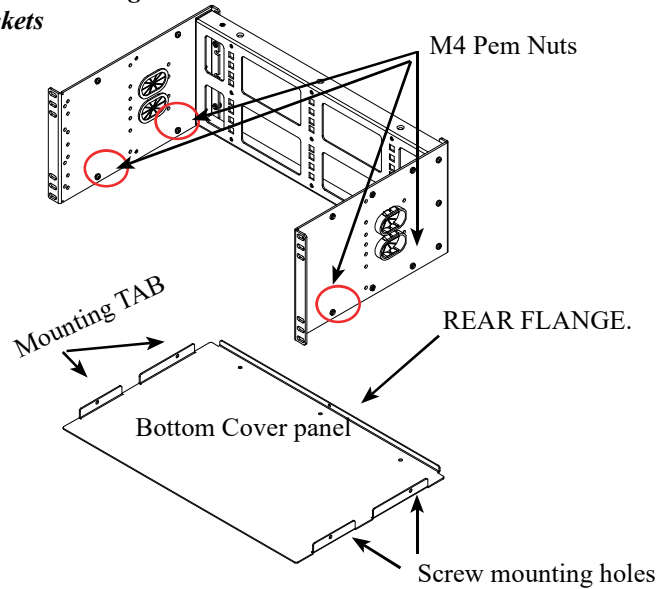
Step 2 Affix the side brackets to the right side of the DIN rail panel using (3) M4 screws, ensuring not to fully tighten them at this stage



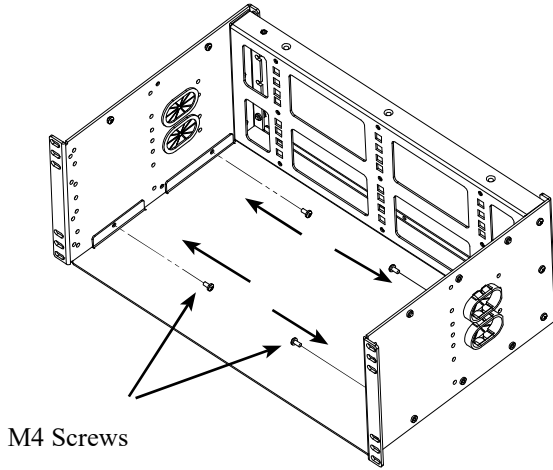
Step 3 Affix the side brackets to the left side of the DIN rail panel using (3) M4 screws, ensuring not to fully tighten them at this stage also.



Step 4 Secure the bottom panel by sliding it between the side brackets. Confirm that the 'REAR FLANGE' on the cover panel is oriented towards the back. Align the mounting holes on the panel's mounting tabs with the M4 PEM Nuts located on the brackets

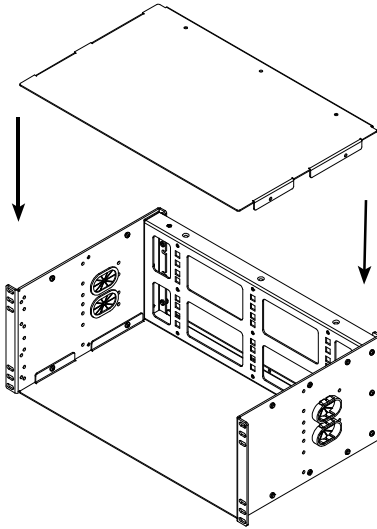


Step 5 Fasten both sides of the panel by using (2) M4 screws on each side, installing them from the inside. Exercise caution to prevent stripping the screw heads due to limited space during installation.

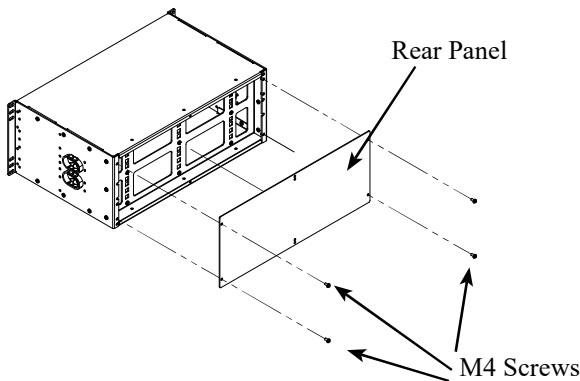


M4 Screws

Step 6 Proceed with the installation of the Top Panel by following the same steps outlined in STEP 4 for the bottom cover panel



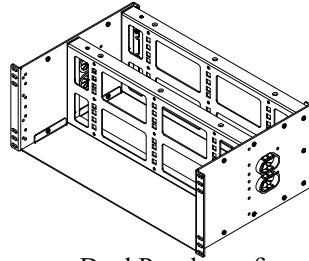
Step 7 Install the rear panel to the back by aligning it with the mounting holes on the right and left sides of the side brackets. Secure all four corners with M4 screws. Complete the installation by securely tightening all screws.



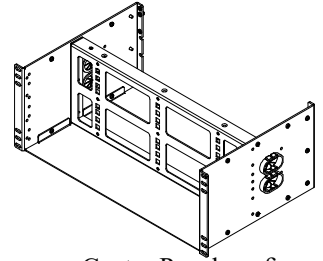
Rear Panel

M4 Screws

Installation Options

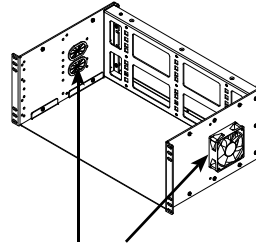


Dual Panels config

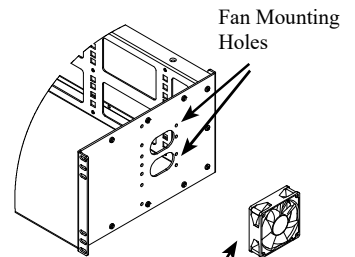


Center Panel config

Side Cooling Fan Option. 80mm fan not included.



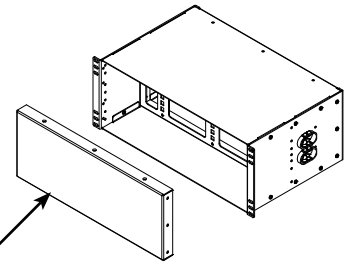
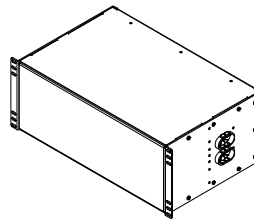
80mm fan can be install on right and left side



Fan Mounting Holes

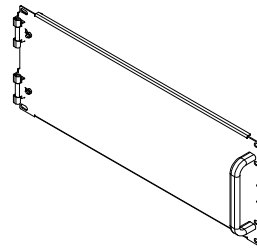
80mm FAN

Solid Door Cover Option. IRP104S not included.



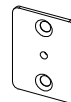
Using IRP104S Solid Panel as cover door. Solid panel secured from side way.

Front door with magnatic catch option. (ERP100DR-4U not included.)



ERP100DR-4U 4U cover door for ER-P100DB-4U..

Expansion to 8U configuration using DRP100 Brackets option.



DRP100 (not included)

